

# Timer relay - TR-ES-MUL-24/240-10H



2907322

<https://www.phoenixcontact.com/in/products/2907322>

Please be informed that the data shown in this PDF document is generated from our Online Catalog. Please find the complete data in the user documentation. Our General Terms of Use for Downloads are valid.

---



Multi-functional timer relay with 7 functions and an adjustable time range (50 ms - 10 h), supply voltage: 24 V DC ... 48 V DC/24 V DC ... 240 V AC, 1 changeover contact

---

# Timer relay - TR-ES-MUL-24/240-10H



2907322

<https://www.phoenixcontact.com/in/products/2907322>

## Commercial Data

Order Key	2907322
Packing unit	1 pc
Minimum order quantity	1 pc
Sales Key	CK4
Product Key	CK4621
GTIN	4055626274119
Weight per Piece (including packing)	49.2 GRM
Weight per Piece (excluding packing)	48.0 GRM
Customs tariff number	85364900
Country of origin	AT

# Timer relay - TR-ES-MUL-24/240-10H



2907322

<https://www.phoenixcontact.com/in/products/2907322>

## Technical Data

### Product properties

Mechanical service life	approx. $1 \times 10^6$ switching cycles
-------------------------	--

### Insulation characteristics

Overvoltage category	II
Pollution degree	2
Insulation	Basic insulation

### Electrical properties

Service life electrical	approx. $1 \times 10^5$ cycles
Nominal frequency	48 Hz ... 63 Hz
Nominal power consumption	8 VA (1 W, 230 V AC)
	0.4 W (at 24 V DC)
Test voltage relay winding/relay contact	1.6 kV
Rated insulation voltage	300 V
Rated surge voltage	2500 V

### Input data

Nominal power consumption	8 VA (1 W, 230 V AC)
	0.4 W (at 24 V DC)
Input voltage range	24 V DC ... 48 V DC -10 % ... +10 %
	24 V AC ... 240 V AC -15 % ... +10 %
Temperature coefficient, typical	< 0.05 %/°C
Recovery time	> 100 ms
Setting range time	50 ms ... 10 h (6 time end ranges)
Basic accuracy	< 1.5 % (of scale end value)
Setting accuracy	< 5 % (of scale end value)
Repeat accuracy	< 0.5 % $\pm$ 5 ms

### Control

Connection name	Non-floating, terminals A1-B1
Control pulse length	$\geq$ 25 ms (DC)
	$\geq$ 50 ms (with AC)

### Output data

#### Switching

Contact type	1 floating changeover contact
Maximum switching voltage	250 V AC
Interrupting rating (ohmic load) max.	1250 VA (5 A / 250 V AC)
Output fuse	5 A (fast-blow)

### Connection data

# Timer relay - TR-ES-MUL-24/240-10H



2907322

<https://www.phoenixcontact.com/in/products/2907322>

Connection method	Screw connection
Stripping length	7 mm
Conductor cross section solid	0.25 mm <sup>2</sup> ... 2.5 mm <sup>2</sup>
Conductor cross section flexible	0.25 mm <sup>2</sup> ... 2.5 mm <sup>2</sup>
Conductor cross section AWG	23 ... 14

## LED signaling

Status display	Green LED (POWER)
	Yellow LED (relay active)

## Dimensions

Width	17.5 mm
Height	98 mm
Depth	57.9 mm

## Environmental and real-life conditions

### Ambient conditions

Degree of protection	IP40 (Housing)
	IP20 (Connection terminal blocks)
Ambient temperature (operation)	-25 °C ... 50 °C
Ambient temperature (storage/transport)	-40 °C ... 70 °C
Permissible humidity (operation)	25 % ... 75 %

## Approval data

### CE

Identification	CE-compliant
----------------	--------------

### CCC

Identification	GB 14048.5-2008
----------------	-----------------

## EMC data

Low Voltage Directive	Conformance with Low Voltage Directive
Electromagnetic compatibility	Conformance with EMC directive
Noise emission	IEC 61812-1
Noise immunity	IEC 61812-1

## Standards and regulations

Standards/regulations	IEC 61812-1
-----------------------	-------------

## Mounting

Assembly instructions	on standard DIN rail NS 35 in accordance with EN 60715
Mounting position	any

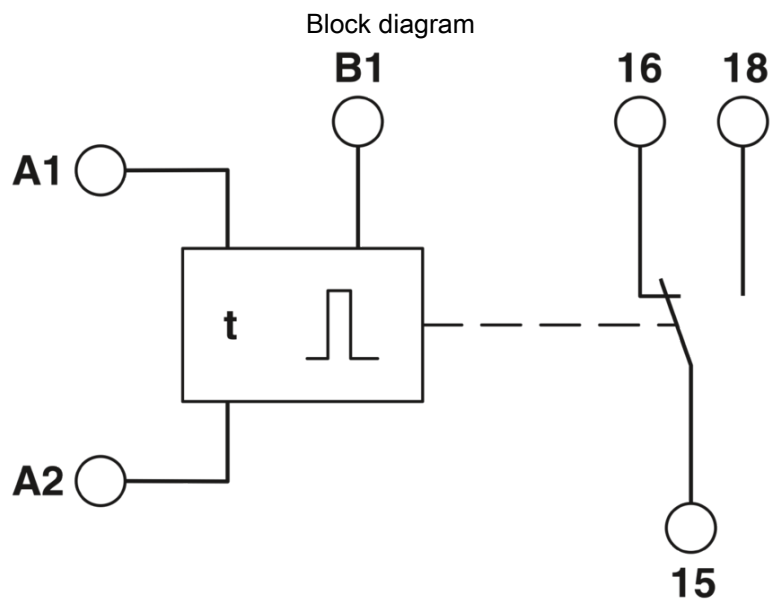
# Timer relay - TR-ES-MUL-24/240-10H

2907322

<https://www.phoenixcontact.com/in/products/2907322>



## Drawings



**U = 24 ... 48 V DC / 24 ... 240 V AC**

# Timer relay - TR-ES-MUL-24/240-10H

2907322

<https://www.phoenixcontact.com/in/products/2907322>



## Approvals

CCC-SDoC ©

# Timer relay - TR-ES-MUL-24/240-10H



2907322

<https://www.phoenixcontact.com/in/products/2907322>

## Classifications

### ECLASS

ECLASS-9.0	27371605
ECLASS-10.0.1	27371605
ECLASS-11.0	27371605

### ETIM

ETIM 6.0	EC001439
----------	----------

### UNSPSC

UNSPSC 19.0	39122329
-------------	----------

# Timer relay - TR-ES-MUL-24/240-10H



2907322

<https://www.phoenixcontact.com/in/products/2907322>

## Environmental Product Compliance

China RoHS	Environmentally Friendly Use Period = 50 years For details about hazardous substances go to tab "Downloads", Category "Manufacturer's declaration"
------------	--

Phoenix Contact 2022 © - all rights reserved  
<https://www.phoenixcontact.com>

PHOENIX CONTACT (I) Pvt. Ltd.  
A-58/2, Okhla Industrial Area, Phase - II, New Delhi-110 020

+91.1275.71420  
[info@phoenixcontact.co.in](mailto:info@phoenixcontact.co.in)